



***harn***<sup>®</sup>

**BASIC** drawer runner

product ordering  
assembly  
installation

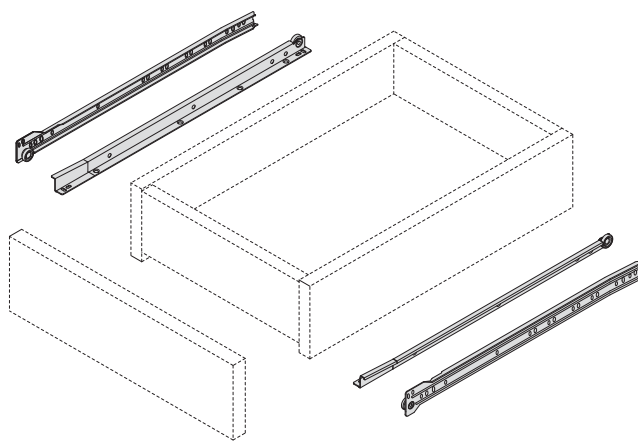
# BASIC

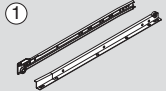
## 2030 Drawer Runners - Single Extension

BASIC



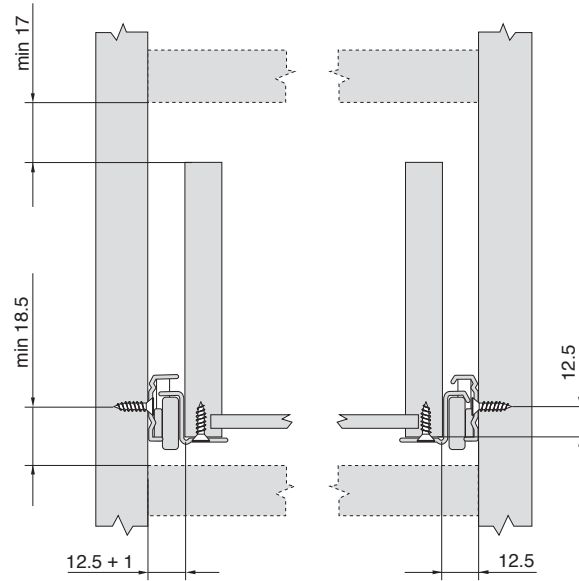
- Single extension
- Bottom mounted drawer profiles
- Epoxy coated
- Load capacity of 30kg
- Self closing feature
- Smooth rolling mechanism
- Double out-stop safety feature
- Locked-in position when fully extended



 <b>Basic Drawer Runners Left / Right :</b>	
Drawer Length	Standard Roller
250mm	2030.25.XX
270mm	2030.27.XX
300mm	2030.30.XX
350mm	2030.35.XX
400mm	2030.40.XX
450mm	2030.45.XX
500mm	2030.50.XX
550mm	2030.55.XX
600mm	2030.60.XX
650mm	2030.65.XX
700mm	2030.70.XX

Colour Code XX  
Standard : 01 - R9010 White 11 - R8017 Brown 12 - R9005 Black

Space Requirements and Front Installation Dimensions

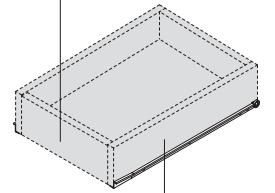


Cabinet Profile Screw Positions

Drawer Length	Min Internal Cabinet Depth	Actual Loss of Extension
250mm	253mm	85mm
270mm	273mm	85mm
300mm	303mm	85mm
350mm	353mm	85mm
400mm	403mm	85mm
450mm	453mm	95mm
500mm	503mm	102mm
550mm	553mm	110mm
600mm	603mm	120mm
650mm	653mm	120mm
700mm	703mm	135mm

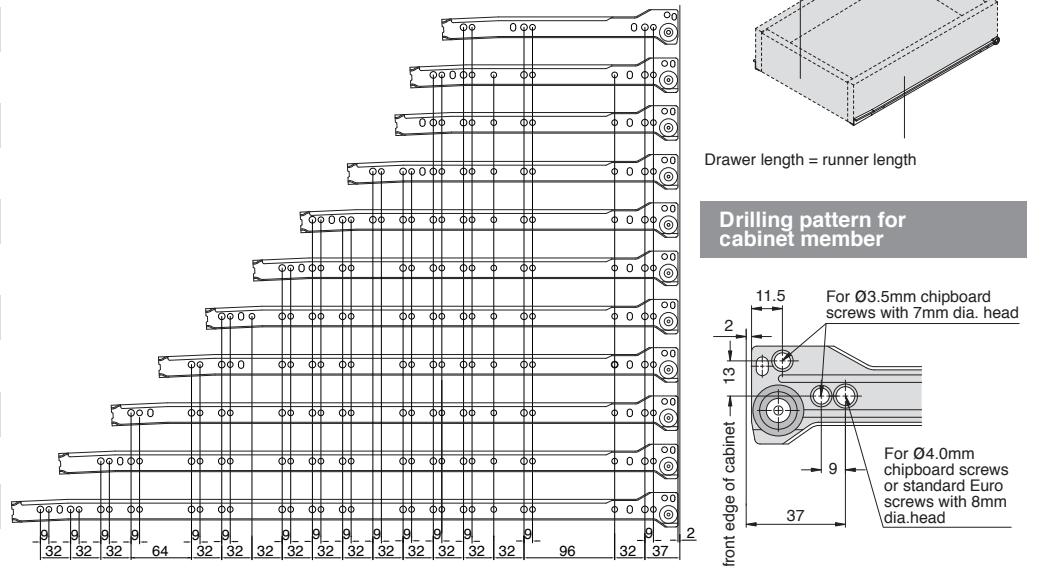
Cutting Dimensions for 16mm Chipboard

Drawer width = internal cabinet width - 25mm



Drawer length = runner length

Drilling pattern for cabinet member



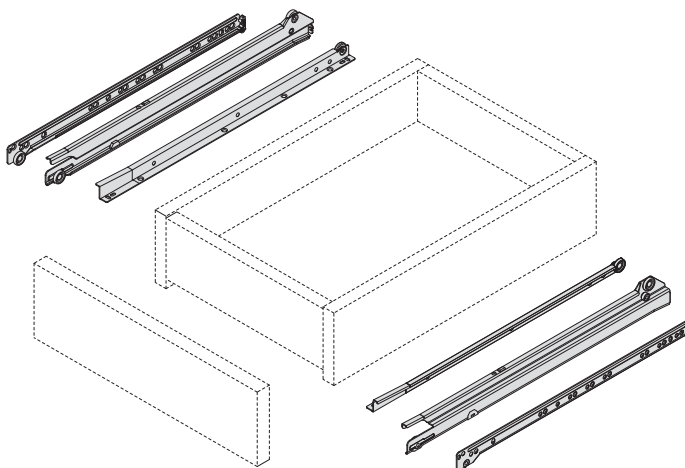
# BASIC

## 3011 Drawer Runners - Full Extension

BASIC

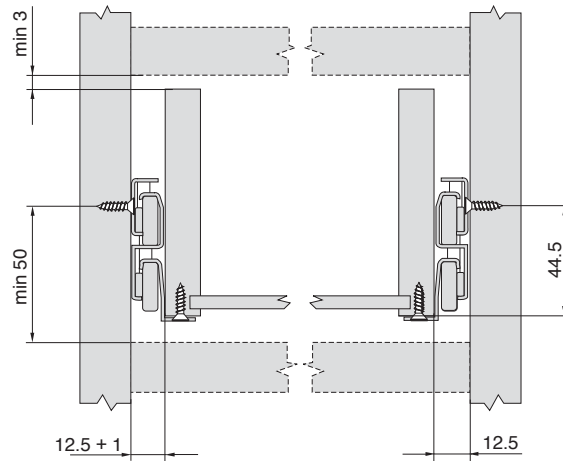


- Full extension
- Bottom mounted drawer profiles
- Epoxy coated
- Load capacity of 40kg
- Self closing feature
- Smooth rolling mechanism
- Double out-stop safety feature
- Locked-in position when fully extended



① Basic Drawer Runners Left / Right :	
Drawer Length	Standard Roller
350mm	3011.35.XX
400mm	3011.40.XX
450mm	3011.45.XX
500mm	3011.50.XX
550mm	3011.55.XX

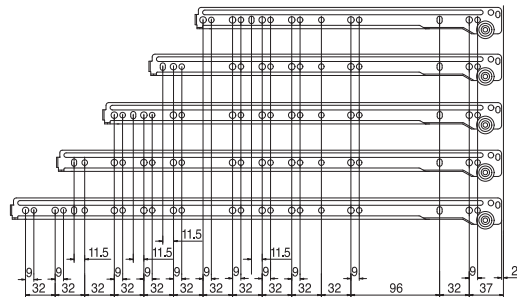
Colour Code XX  
Standard : 01 - R9010 White 11 - R8017 Brown 12 - R9005 Black



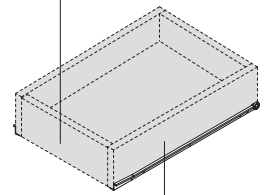
Cabinet Profile Screw Positions

Cutting Dimensions for 16mm Chipboard

Drawer Length	Min Internal Cabinet Depth	Actual Loss of Extension
350mm	358mm	30mm
400mm	408mm	30mm
450mm	458mm	30mm
500mm	508mm	30mm
550mm	558mm	30mm

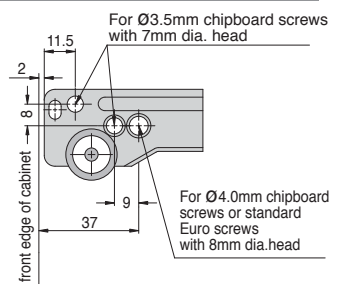


Drawer width = internal cabinet width - 25mm



Drawer length = runner length

Drilling pattern for cabinet member



## Aksesori Setia Sdn.Bhd.

Company No. 326521-U

Plot 32, Lengkok Rishah 1,  
Kawasan Perindustrian Silibin,  
30100 Ipoh, Perak, Malaysia.

Tel : (60) 5 - 527 6055

Fax : (60) 5 - 527 6063

E-mail : info@harn.com

www.harn.com

# ***harn***<sup>®</sup>

